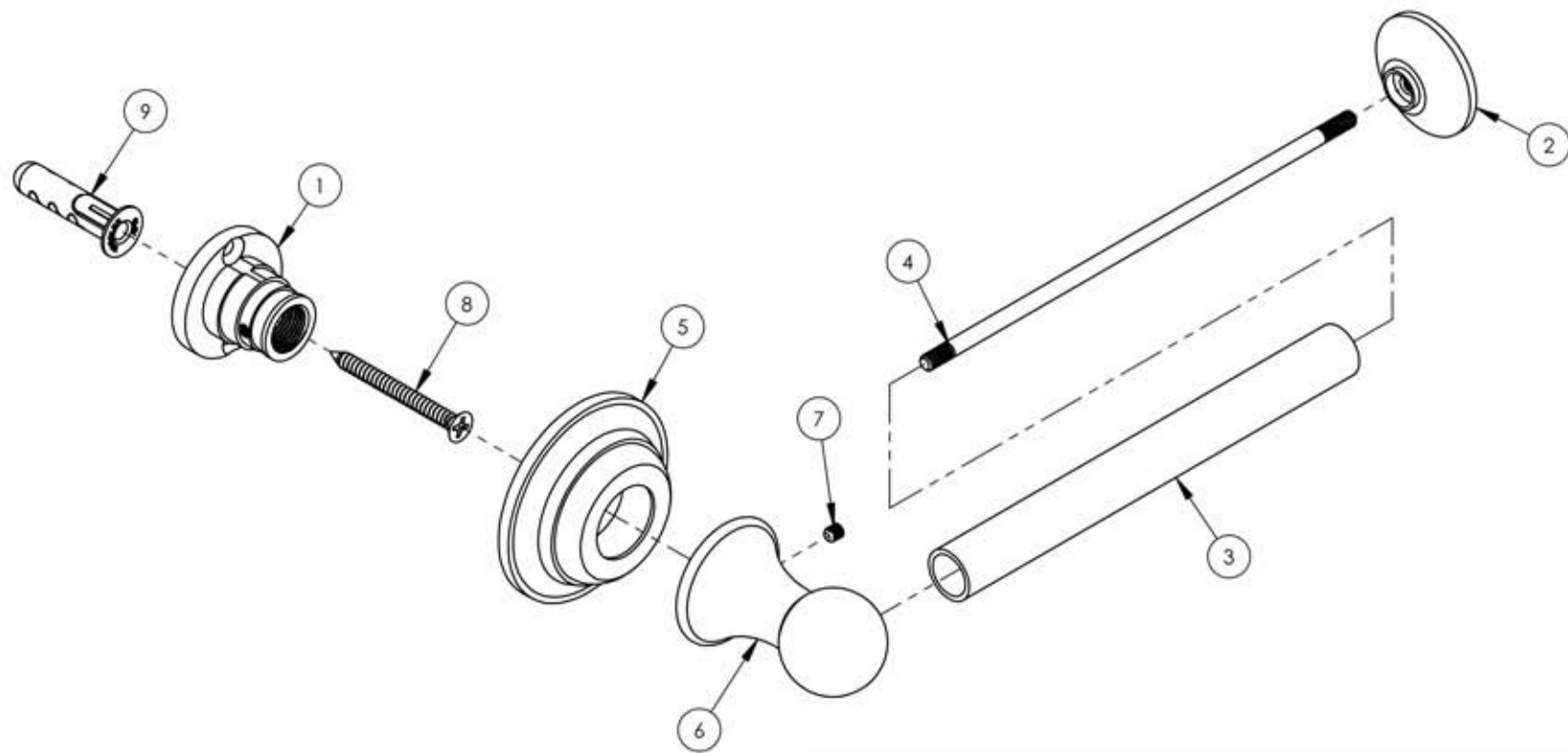


ITEM NO.	PART NUMBER	DESCRIPTION	QTY.
1	11050	MOUNTING KIT, WALL FLANGE	1
2	11057/00	TP HOLDER, FINIAL. HEX MODERN 501 SERIES	1
3	11059/00	BAR TUBE FOR TP HOLDER, 501 SERIES	1
4	11061	3/16" DIA. ROD WITH THREAD FOR TP HOLDER	1
5	11277/00	ESCUTCHEON, ACCESSORIES, MAISON	1
6	11283/00	TP POST, MAISON SERIES	1
7	92008	SET SCREW, CUP POINT 8-32	1
8	92043	SCREW, FLAT HD #10 SIZE W/ #2 PHIL DRIVE, 2"L	1
9	92046	ANCHOR SCREW 3/8" HOLE, TOGGLER AF10	1



ZONE	REV.	DESCRIPTION	DATE	APPROVED
REVISIONS				
1261 LOGAN AVENUE COSTA MESA, CALIFORNIA 92626 PHONE: 714.361.4800 FAX: 714.617.3120		PHYL RICH®	<b>PROPRIETARY AND CONFIDENTIAL</b> <small>THE INFORMATION CONTAINED IN THIS DRAWING IS THE SOLE PROPERTY OF RISS MANUFACTURING. ANY REPRODUCTION IN PART OR AS A WHOLE WITHOUT THE WRITTEN PERMISSION OF RISS MANUFACTURING IS PROHIBITED.</small>	
Defining Luxury Since 1959				

-		INTERPRET GEOMETRIC DIMENSIONING & TOLERANCING IN ACCORDANCE WITH ASME Y14.5-2009 & ASME Y14.41-2003 STANDARDS. UNLESS OTHERWISE SPECIFIED, DIMENSIONS ARE IN INCHES. TOLERANCES ARE:		
NEXT ASSY	USED ON	FRACTIONS ±1/64"	DECIMALS X.X: ±.1 X.XX: ±.01 X.XXX: ±.005	ANGULAR ±.5°
APPLICATION		MATERIAL	NAME	DATE
FINISH		DRAWN	LLO	10/21/2015
DO NOT SCALE DRAWING		CHECKED	GRE	

<b>SINGLE POST PAPER HOLDER, COURONNE SERIES</b>			
SIZE	ASM/PRT NO.	REV	
A	163-74/00	-	
SCALE: 1:2	WEIGHT: lbs.	SHEET 1 OF 2	

5

4

3

2

1